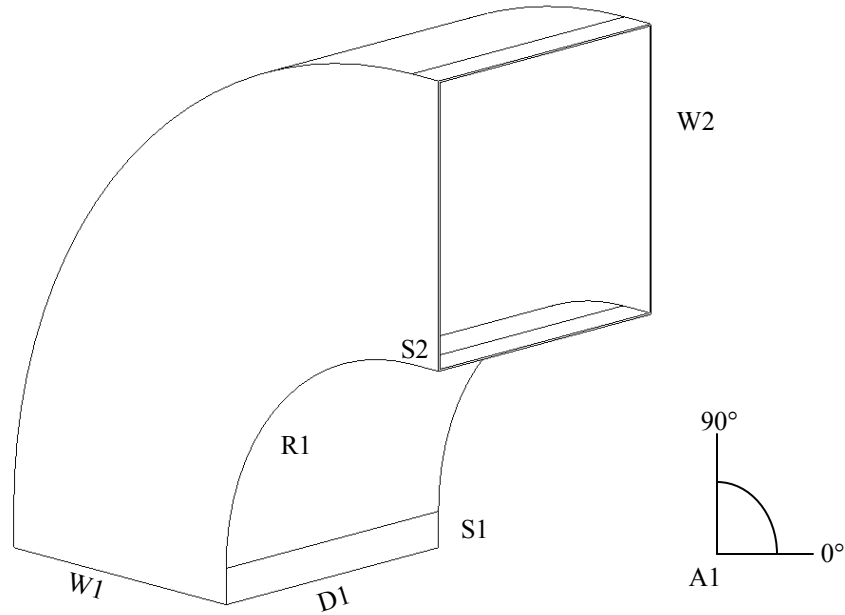


RADIUS ELBOW

“CE”



RADIUS ELBOW		“CE”
ITEM ID		
GAUGE		
QUANTITY		
CONNECTOR END	1	
CONNECTOR END	2	
WIDTH IN	“W1”	
DEPTH IN	“D1”	
THROAT RADIUS	“R1”	
WIDTH OUT	“W2”	
ANGLE OF ELBOW	“A1”	
EXTRA STRAIGHT IN	“S1”	
EXTRA STRAIGHT OUT	“S2”	
LINED	Y / N	

WIDTH OUT CAN NOT BE LARGER THAN WIDTH IN

THROAT RADIUS MUST BE AT LEAST 6”

THROAT MUST HAVE A DEVELOPED LENGTH OF AT LEAST 12”

ANGLE MUST BE GREATER THAN 0 DEGREES AND LESS THAN 91 DEGREES